

Report Number: QIP-ASI113081

Audit Date : 22 Feb., 2011
Expiry Date : 21 Feb., 2012

This report is issued by Focus Technology Co., Ltd. (Made-in-China.com) and the supervising inspectorate (SGS-CSTC Standards Technical Services Co., Ltd.) to confirm that:

Company Name : Zhejiang Jiaxin Development Co., Ltd.
 浙江嘉信投资发展有限公司
Showroom : <http://jiaxin.en.made-in-china.com/>
Address : Room 2408, No. 132, Renmin Road, Ningbo City, Zhejiang, China
Product : Backpack Bags, Toaster, Electric Shaver, Wall Clock, Umbrella, Stationery, Home Appliance, Kitchen Items, etc.

has been on site audited for the Following Scope of Activity

1. General Information
2. Foreign Trade Capacity
3. Photos



General Comments:

Zhejiang Jiaxin Development Co., Ltd. is a foreign trader with 54 employees; it was established in 2009, located in Room 2408, No. 132, Renmin Road, Ningbo City, Zhejiang, China. The offices occupy an area of 900 square meters. The company has its own brand "Jiaxin". They had successful foreign trading experience in Europe, South America, and Southeast Asia.



Sign for and on behalf of
 SGS-CSTC Standards Technical Services Co., Ltd.

This document is issued by the Company under its General Conditions of Service accessible at http://www.sgs.com/terms_and_conditions.htm. Attention is drawn to the limitation of liability, indemnification and jurisdiction issues defined therein. Any holder of this document is advised that information contained hereon is solely limited to visual examination of the safely and readily accessible portions of the consignment and reflects the Company's findings at the time of its intervention only and within the limits of Client's instructions, if any. The Company's sole responsibility is to its Client and this document does not exonerate parties to a transaction from exercising all their rights and obligations under the transaction documents. Any unauthorized alteration, forgery or falsification of the content or appearance of this document is unlawful and offenders may be prosecuted to the fullest extent of the law.

Attention: To check the authenticity of testing /inspection report & certificate, please contact us at telephone: (86-755)83071443, or email: CN.Doccheck@sgs.com

Page No.: 1 of 8

SUPPLIER ASSESSMENT REPORT

Audited Company	Zhejiang Jiaxin Development Co., Ltd. 浙江嘉信投资发展有限公司
Audited Site:	Room 2408, No. 132, Renmin Road, Ningbo City, Zhejiang, China
Representative of Audited Company:	Ms. Like Ding

Consigner of Assessment	Made-in-China.com		
Audit Type	<input checked="" type="checkbox"/> Initial Audit <input type="checkbox"/> Follow-up Audit <input type="checkbox"/> Re-audit		
Valid Date	From 22 Feb., 2011 to 21 Feb., 2012	Verify Report	www.sgs.com
Auditor Name	Jin Yiyi	Reviewed by	Roger Wang

CONTENTS

- Part A: General Information**
 - Section 1: Company Overview
 - Section 2: Human Resources
- Part B: Foreign Trade Capacity**
 - Section 1: Export Overall Situation
 - Section 2: Export Business Capacity
 - Section 3: Supplier Management
 - Section 4: After-sales Service Capacity
- Part C: Product Research & Development Capacity**
 - Section 1: Product Research & Development Capacity
- Part D: Quality Management System and Product Certification**
 - Section 1: Quality Management System(s) and Product Certification
- Part E: Production Capacity & Quality Control**
 - Section 1: Production Capacity Section
 - Section 2: Production Process Control
 - Section 3: Company Development / Expansion Plan
- Part F: Financial Position**
 - Section 1: Financial Data
 - Section 2: Key Performance Indications
 - Section 3: Banking
 - Section 4: Product Insurance
- Part G: Working Environment & Energy Saving**
 - Section 1: Working Environment
 - Section 2: Energy Savings and Emission Reduction
- Part H: Photos**
 - Section 1 : Photos of Documents
 - Section 2: Photos of Company

This document is issued by the Company under its General Conditions of Service accessible at http://www.sgs.com/terms_and_conditions.htm. Attention is drawn to the limitation of liability, indemnification and jurisdiction issues defined therein. Any holder of this document is advised that information contained hereon is solely limited to visual examination of the safely and readily accessible portions of the consignment and reflects the Company's findings at the time of its intervention only and within the limits of Client's instructions, if any. The Company's sole responsibility is to its Client and this document does not exonerate parties to a transaction from exercising all their rights and obligations under the transaction documents. Any unauthorized alteration, forgery or falsification of the content or appearance of this document is unlawful and offenders may be prosecuted to the fullest extent of the law.

Attention: To check the authenticity of testing /inspection report & certificate, please contact us at telephone: (86-755)83071443, or email: CN.Doccheck@sgs.com

Page No.: 2 of 8



Part A: General Information

Section 1: Company Overview

1.1 Legal Validity			
Does the company have a valid business license?	<input checked="" type="checkbox"/> Yes <input type="checkbox"/> No <input type="checkbox"/> Others	Valid Date	25 Jun., 2019
Year of established	26 Jun., 2009	Registration Number	33020000061138
Registered address	Room 2408, No. 132, Renmin Road, Ningbo City, Zhejiang, China		
Actual address	Room 2408, No. 132, Renmin Road, Ningbo City, Zhejiang, China		
Is the annual review done by local authority (Industrial & Commercial Bureau)?	Refer to business license provided; it was reviewed in year 2010.		
Registered capital	RMB 20,000,000		
Name of legal representative	Mr. Xiaomin Yin		
Business scope	Sales of pre-packaged foods; industrial investment, corporation management consultant, design of enterprise image, advertising service; sea international freight agency; management of real estate development; software design; biotechnology R&D; sales of hardware and electrical products, textile, daily necessities, construction material, chemical products, crafts, stationery commodity, steel, agricultural products; import and export for goods and technology.		
1.2 Basic Information			
Contact person	Ms. Like Ding	Email	jixin@chinahomegift.com
Phone number	0086-574-27728170	Fax number	0086-574-27729009
URL/Web address	www.chinahomegift.com		
Company type	<input type="checkbox"/> Manufacturer <input checked="" type="checkbox"/> Foreign trader <input type="checkbox"/> Combined		
Type of ownership	<input checked="" type="checkbox"/> Limited Company <input type="checkbox"/> Public Company <input type="checkbox"/> Joint Venture <input type="checkbox"/> State-Owned <input type="checkbox"/> Private Owner <input type="checkbox"/> Wholly foreign-owned enterprises		
Subsidiary factory	YIN's Group; Ningbo Jiaxin Wine Co., Ltd.; Ningbo Hanyuan Shipment Co., Ltd.; Zhejiang Yibang Xingye Bag Co., Ltd.		
Products manufactured / sold scope	Backpack Bags, Toaster, Electric Shaver, Wall Clock, Umbrella, Stationery, Home Appliance, Kitchen Items, etc.		
1.3 Company Building Information			
According to:			
<input type="checkbox"/> Land certificate <input type="checkbox"/> Real estate certificate			
<input checked="" type="checkbox"/> Lease agreement <input type="checkbox"/> Supplier claimed			
The office occupy about: 900 square meters.			

This document is issued by the Company under its General Conditions of Service accessible at http://www.sgs.com/terms_and_conditions.htm. Attention is drawn to the limitation of liability, indemnification and jurisdiction issues defined therein. Any holder of this document is advised that information contained hereon is solely limited to visual examination of the safely and readily accessible portions of the consignment and reflects the Company's findings at the time of its intervention only and within the limits of Client's instructions, if any. The Company's sole responsibility is to its Client and this document does not exonerate parties to a transaction from exercising all their rights and obligations under the transaction documents. Any unauthorized alteration, forgery or falsification of the content or appearance of this document is unlawful and offenders may be prosecuted to the fullest extent of the law.

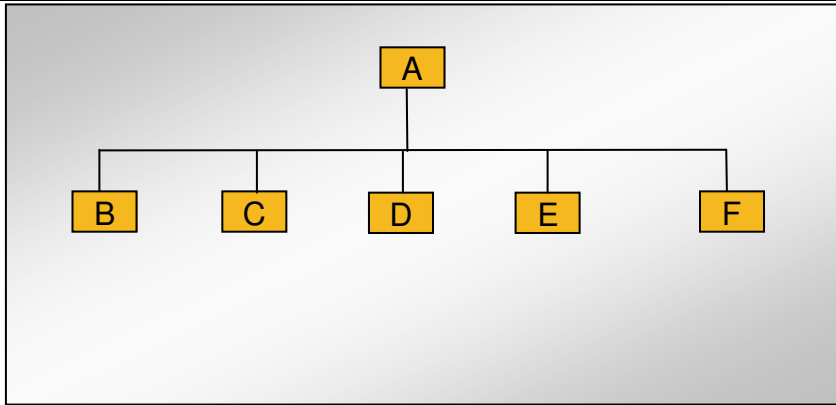
Attention: To check the authenticity of testing / inspection report & certificate, please contact us at telephone: (86-755)83071443, or email: CN.Doccheck@sgs.com

Page No.: 3 of 8



Section 2: Human Resources

2.1 Company Chart



2.2 Explanation of Code and Employee Details

Code	Department	Number of employees
A	General Manager	1
B	Sales Dept.	30
C	Technology Dept.	3
D	Purchase Dept.	4
E	Finance Dept.	7
F	Admin. Dept.	7
Number in total:		54

2.3 Key Staff

Title	Full name	Education	Working experience for this trade / total experience
Foreign Trading Manager	Ms. Like Ding	University	8 years
Foreign Trading Staff	Ms. Linda Lin	University	6 years
Foreign Trading Staff	Mr. Jack Xu	University	1 year

Remark: Above information of key staff was based on interview with company representative.

This document is issued by the Company under its General Conditions of Service accessible at http://www.sgs.com/terms_and_conditions.htm. Attention is drawn to the limitation of liability, indemnification and jurisdiction issues defined therein. Any holder of this document is advised that information contained hereon is solely limited to visual examination of the safely and readily accessible portions of the consignment and reflects the Company's findings at the time of its intervention only and within the limits of Client's instructions, if any. The Company's sole responsibility is to its Client and this document does not exonerate parties to a transaction from exercising all their rights and obligations under the transaction documents. Any unauthorized alteration, forgery or falsification of the content or appearance of this document is unlawful and offenders may be prosecuted to the fullest extent of the law.

Attention: To check the authenticity of testing /inspection report & certificate, please contact us at telephone: (86-755)83071443, or email: CN.Doccheck@sgs.com



Part B: Foreign Trade Capacity

Section 1: Export Overall Situation

1.1 Export Overall Situation	
Does the company have a valid export license?	<input checked="" type="checkbox"/> Yes <input type="checkbox"/> No
The export license registration No.?	3302691355109
The number of foreign trading staff with relevant trading experience.	<input checked="" type="checkbox"/> within 1 year 5 staff <input checked="" type="checkbox"/> 2-5 years 21 staff <input checked="" type="checkbox"/> 5-10 years 3 staff <input checked="" type="checkbox"/> over 10 years 1 staff Total 30 staff
The language freely used by foreign trade staff	<input checked="" type="checkbox"/> English <input type="checkbox"/> others
Annual revenue of previous year	Company claimed the previous year annual revenue was RMB 261,098,346.06
Annual export revenue of previous year	RMB 261,098,346.06
Estimated export revenue for this year.	Company claimed the export revenue for this year would be RMB 338 million.
Overseas agent	Company had the overseas agent in Brazil.
Nearest port	Ningbo, Shanghai.
Acceptable quotation	<input checked="" type="checkbox"/> FOB <input checked="" type="checkbox"/> CIF
Acceptable payment type	<input checked="" type="checkbox"/> LC <input checked="" type="checkbox"/> T/T
What is the company's projected average lead time from PO confirmation to production EX works delivery?	Based on interview Ms. Ding; the average lead time was 30 workdays from PO confirmation to EX works delivery.

Section 2: Export Business Capacity

2.1 Market Distribution (please list top three areas)		
Market	Main Product	% of Total Business Volume (last year)
South America	Backpack Bags, Toaster, Electric Shaver, Wall Clock, Umbrella, Stationery, Home Appliance, Kitchen Items, etc.	50%
Europe	Backpack Bags, Toaster, Electric Shaver, Wall Clock, Umbrella, Stationery, Home Appliance, Kitchen Items, etc.	10%
Southeast Asia	Backpack Bags, Toaster, Electric Shaver, Wall Clock, Umbrella, Stationery, Home Appliance, Kitchen Items, etc.	30%

Remark: Above information of business volume was based on interview with company representative.

This document is issued by the Company under its General Conditions of Service accessible at http://www.sgs.com/terms_and_conditions.htm. Attention is drawn to the limitation of liability, indemnification and jurisdiction issues defined therein. Any holder of this document is advised that information contained hereon is solely limited to visual examination of the safely and readily accessible portions of the consignment and reflects the Company's findings at the time of its intervention only and within the limits of Client's instructions, if any. The Company's sole responsibility is to its Client and this document does not exonerate parties to a transaction from exercising all their rights and obligations under the transaction documents. Any unauthorized alteration, forgery or falsification of the content or appearance of this document is unlawful and offenders may be prosecuted to the fullest extent of the law.

Attention: To check the authenticity of testing /inspection report & certificate, please contact us at telephone: (86-755)83071443, or email: CN.Doccheck@sgs.com

Page No.: 5 of 8



Section 3: Supplier Management

3.1 Supplier Management		
Item	Content	Observations /Comments
1	Does the company establish and implement an effective suppliers' assessment procedure?	<input checked="" type="checkbox"/> Have the written procedures and followed records <input type="checkbox"/> Have the written procedures but no records <input type="checkbox"/> Have relevant records without written procedure <input type="checkbox"/> Have no written procedures or followed records
2	Does the company have an updated list of approved suppliers?	<input checked="" type="checkbox"/> The approved suppliers list was updated in <u>2010</u> <input type="checkbox"/> Have the written suppliers without approved signature or date. <input type="checkbox"/> Provide the some suppliers names <input type="checkbox"/> No approved suppliers list

Section 4: After-sales Service Capacity

4.1 After Service Capacity		
Item	Content	Observations /Comments
1	Is there a procedure to conduct random product inspection after final packaging in place?	<input checked="" type="checkbox"/> Have clear standards and written inspection records <input type="checkbox"/> No written standards but had inspection reports <input type="checkbox"/> Have the procedures but no inspection records <input type="checkbox"/> It's not necessary to carry out the inspection
2	Is there a clear procedure for handling customer complaints?	<input type="checkbox"/> Has the clear procedure and followed records <input checked="" type="checkbox"/> Has the procedure but no written records. <input type="checkbox"/> No written procedures or records.
3	Can the finished/package product be traced by lot identification to the appropriate raw materials test reports?	<input type="checkbox"/> Have the procedures to trace the raw materials. <input checked="" type="checkbox"/> Can trace main materials <input type="checkbox"/> Can trace production date. <input type="checkbox"/> Can't trace products
4	Are corrective & preventive actions mechanism established and implemented effectively (including the suppliers/ sub-contractors control, incoming inspection, process control, final inspection and customer complaint)?	<input type="checkbox"/> Has the clear procedure and followed records <input type="checkbox"/> Has the procedure but no written records. <input checked="" type="checkbox"/> No written procedures or records.

This document is issued by the Company under its General Conditions of Service accessible at http://www.sgs.com/terms_and_conditions.htm. Attention is drawn to the limitation of liability, indemnification and jurisdiction issues defined therein. Any holder of this document is advised that information contained hereon is solely limited to visual examination of the safely and readily accessible portions of the consignment and reflects the Company's findings at the time of its intervention only and within the limits of Client's instructions, if any. The Company's sole responsibility is to its Client and this document does not exonerate parties to a transaction from exercising all their rights and obligations under the transaction documents. Any unauthorized alteration, forgery or falsification of the content or appearance of this document is unlawful and offenders may be prosecuted to the fullest extent of the law.

Attention: To check the authenticity of testing /inspection report & certificate, please contact us at telephone: (86-755)83071443, or email: CN.Doccheck@sgs.com

Page No.: 6 of 8



Part H: Photos

Section 1: Photos of Documents

1.1 Photos of Documents

Description: Business License



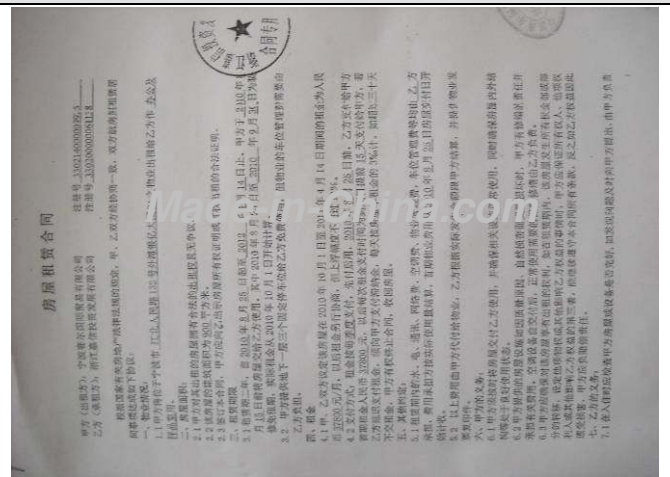
Description: Export License



Description: Organization Code Certificate



Description: Lease agreement



This document is issued by the Company under its General Conditions of Service accessible at http://www.sgs.com/terms_and_conditions.htm. Attention is drawn to the limitation of liability, indemnification and jurisdiction issues defined therein. Any holder of this document is advised that information contained hereon is solely limited to visual examination of the safety and readily accessible portions of the consignment and reflects the Company's findings at the time of its intervention only and within the limits of Client's instructions, if any. The Company's sole responsibility is to its Client and this document does not exonerate parties to a transaction from exercising all their rights and obligations under the transaction documents. Any unauthorized alteration, forgery or falsification of the content or appearance of this document is unlawful and offenders may be prosecuted to the fullest extent of the law.

Attention: To check the authenticity of testing /inspection report & certificate, please contact us at telephone: (86-755)83071443, or email: CN.Doccheck@sgs.com

Section 2: Photos of Company

2.1 Photos of Company and Product Sample

Description: Company Gate



Description: Office Room



Description: Product Samples



Description: Product Samples



Description: Product Samples



Description: Product Samples



-- End of the Report --

This document is issued by the Company under its General Conditions of Service accessible at http://www.sgs.com/terms_and_conditions.htm. Attention is drawn to the limitation of liability, indemnification and jurisdiction issues defined therein. Any holder of this document is advised that information contained hereon is solely limited to visual examination of the safely and readily accessible portions of the consignment and reflects the Company's findings at the time of its intervention only and within the limits of Client's instructions, if any. The Company's sole responsibility is to its Client and this document does not exonerate parties to a transaction from exercising all their rights and obligations under the transaction documents. Any unauthorized alteration, forgery or falsification of the content or appearance of this document is unlawful and offenders may be prosecuted to the fullest extent of the law.

Attention: To check the authenticity of testing /inspection report & certificate, please contact us at telephone: (86-755)83071443, or email: CN.Doccheck@sgs.com